

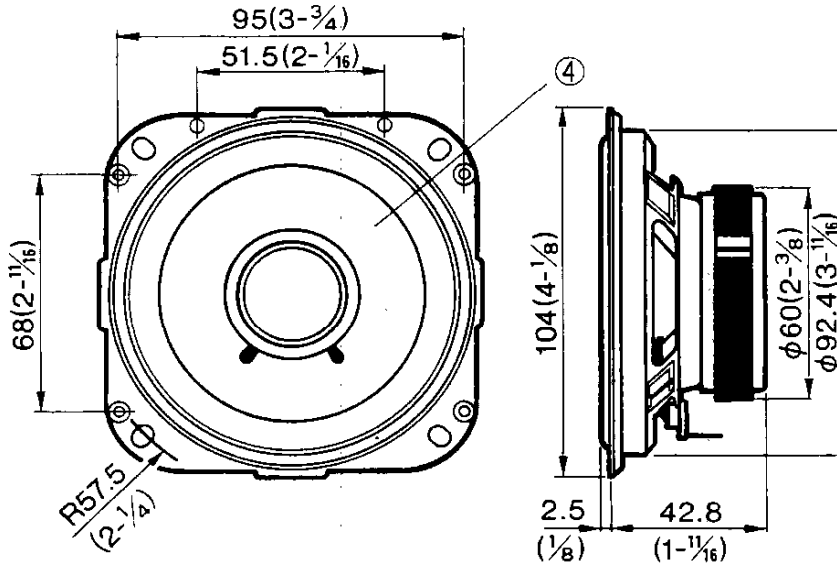
KFC-1013L II

SERVICE MANUAL

KENWOOD
Q.C.
COPY

© 1992-7 PRINTED IN JAPAN
 B51-6505-00 (B) 1631

EXTERNAL VIEW



UNIT: mm (inch)

PARTS LIST

★ New parts
 Parts without **Parts No.** are not supplied.
 Les articles non mentionnés dans le **Parts No.** ne sont pas fournis.
 Teile ohne **Parts No.** werden nicht geliefert.

Ref No.	New Parts	Parts No.	Description
①, ② ④	★	N99-1176-08 T07-0178-08	SCREW SET SPEAKER

PARTS INCLUDED

- ① $\phi 4 \times 20 (\phi 3/16 \times 1 1/8)$ x 8
- ② x 8
- ③ x 2

SPECIFICATIONS

Speaker ————— 10cm(4in) Water Proof
 Treatment Cone Type
 110g(3.9oz) Magnet
 Peak Power ————— 40 Watts
 Frequency Response — 60Hz~20,000Hz
 Sensivity ————— 90dB/W at 1 m
 Impedance ————— 4 Ohms
 Weight Per Speaker — 660g(23oz)/Pair

KENWOOD CORPORATION

Shionogi Shibuya Building, 17-5, 2-chome Shibuya, Shibuya-ku, Tokyo 150, Japan

KENWOOD U.S.A. CORPORATION
 CONSUMER ELECTRONICS GROUP
 P.O. BOX 22745, 2201 East Dominguez St., Long Beach, CA 90810, U.S.A.
KENWOOD ELECTRONICS CANADA INC.
 6070 Kestrel Road, Mississauga, Ontario, Canada L5T 1S8
KENWOOD ELECTRONICS LATIN AMERICA S.A.
 P.O. BOX 55-2791, Piso 6 Plaza Chase, Cl. 47 y Aquilino de la Guardia, Panama,
 Republic de Panama

TRIO-KENWOOD U.K. LIMITED
 Kenwood House, Dwight Road, Watford, Herts. WD1 8EB, United Kingdom
KENWOOD ELECTRONICS BENELUX N.V.
 Mechelsesteenweg 418 B-1930 Zaventem, Belgium
KENWOOD ELECTRONICS DEUTSCHLAND GMBH
 Rembrücker Str. 15, 6056 Heusenstamm, Germany
TRIO-KENWOOD FRANCE S.A.
 13 Boulevard Ney, 75018 Paris, France
KENWOOD LINEAR S.p.A.
 20125, Milano-Via Arce, 50, Italy
KENWOOD ESPAÑA S.A.
 Bolivia, 239-08020 Barcelona, Spain
KENWOOD ELECTRONICS AUSTRALIA PTY. LTD. (A.C.N. 001 499 074)
 P.O. BOX 504, 8 Figuree Drive, Australia Centre, Homebush, N.S.W. 2140, Australia
KENWOOD & LEE ELECTRONICS, LTD.
 Unit 3712-3724, Level 37 Tower 1, Metroplaza, 223 Hing Fong Road,
 Kwai Fong N.T. Hong Kong
KENWOOD ELECTRONICS SINGAPORE PTE LTD
 No. 1 Genting Lane #07-00, Singapore, 1334